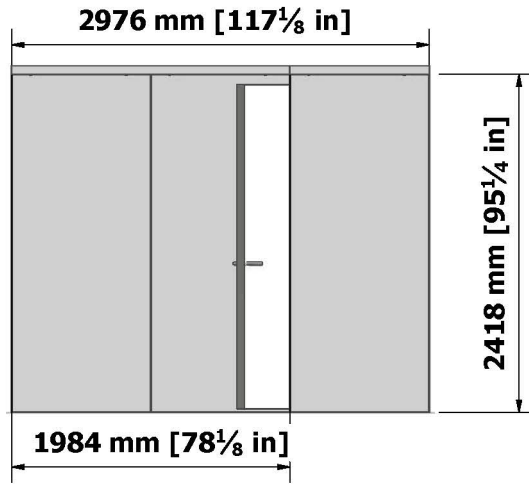
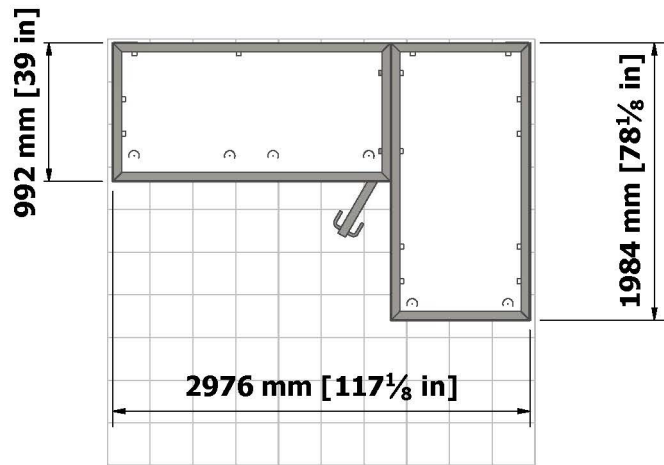


## SESSION 10 X 10

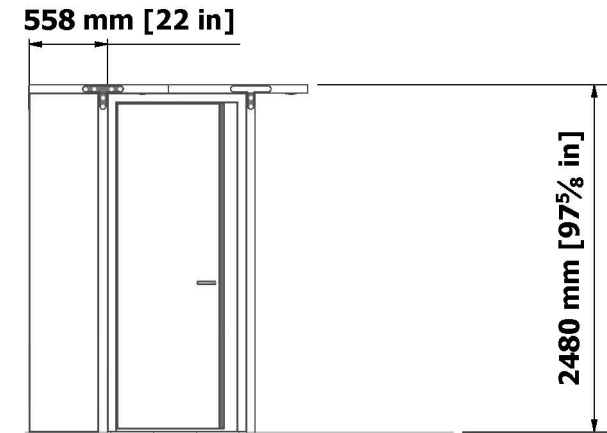
All concepts and designs by The Expo Group are protected under current Federal Copyright Laws. Unauthorized use or reproduction without the written consent of The Expo Group is forbidden.



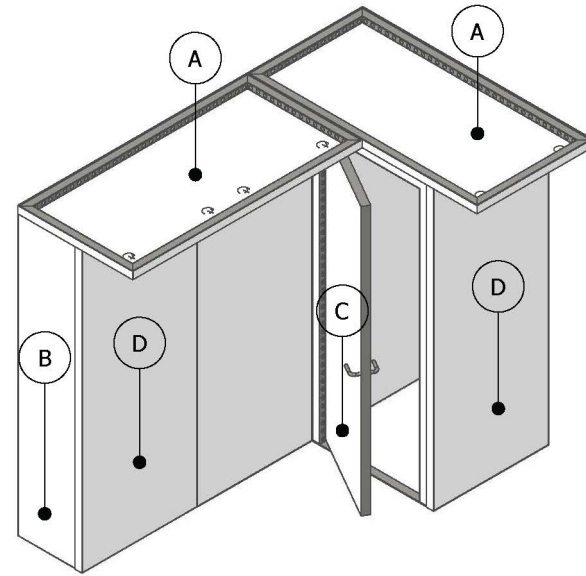
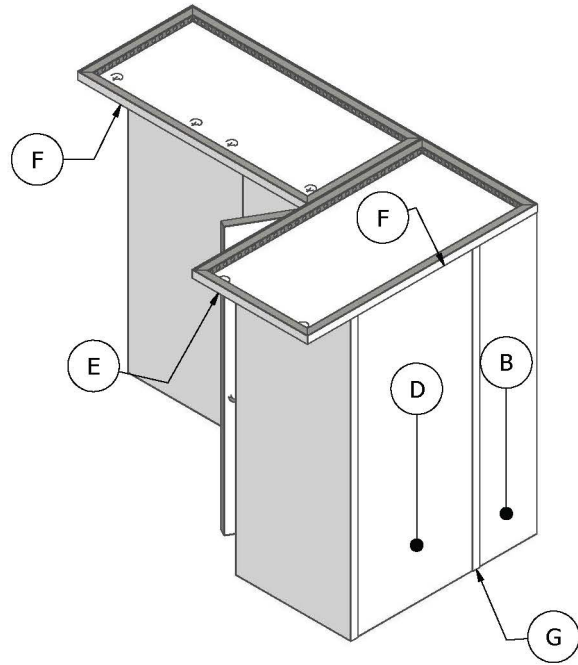
**FRONT VIEW**



**TOP VIEW**



**SIDE VIEW**



PANEL LIST			
ITEM	QTY	ARTICLE	DESCRIPTION
A	2	Panel for 0992 1984 Frame	38-13/16" x 77-7/8" [1978 X 0985MM]
B	2	Panel for 0496 2418 Frame	19-5/16" x 94-15/16" [0490 X 2412MM]
C	1	Panel for 0992 2418 Door Frame SET	33-1/8" x 91-9/16"
D	7	Panel for 0992 2418 Frame	38-13/16" x 94-15/16" [986 x 2412MM]
E	3	Panel Strip for 0992 Frame	2-7/16" x 39-1/16"
F	2	Panel Strip for 1984 Frame	2-7/16" x 78-1/8"
G	4	Panel Strip for 2418 Frame	2-7/16" x 95-3/16"